

- The Cyclone CC with the fan and the boiler controller are designed to be connected to EKO-CKS solid fuel firing boilers from 250 to 380 kW. Their function is to drive out the flue gases and to extract dust particles from the flue gases. The boiler controller regulates the boiler (and fan), protecting pump and heating pump.

- By installing the Cyclone CC, the fan and the boiler controller, the required height of the chimney can be reduced, since the boiler is not connected directly to the chimney. The Cyclone and fan are made out of high quality materials and protected by a suitable finish.

- Designed to be connected to EKO-CKS solid fuel firing boilers from 250 to 380 kW.
- The Cyclone is designed to separate and collect particles from the flue gases.
- The fan is used to drive out flue gases (fresh air is pulled into the combustion chamber, flue gases are drawn out from the boiler and discharged through the chimney into the environment).
- They reduce the height of the chimney unlike the case when the boiler is connected directly to the chimney
- They are supplied exclusively for boilers EKO-CKS 250-380 kW ready prepared for their connection

### PRODUCT CHARACTERISTICS



**SUITABLE FOR THE ENVIRONMENT**  
Separate and collects flue gas particles.



**CHIMNEY**  
By installing the circles, the necessary chimney height is reduced, unlike the case when the boiler is connected directly to the chimney.

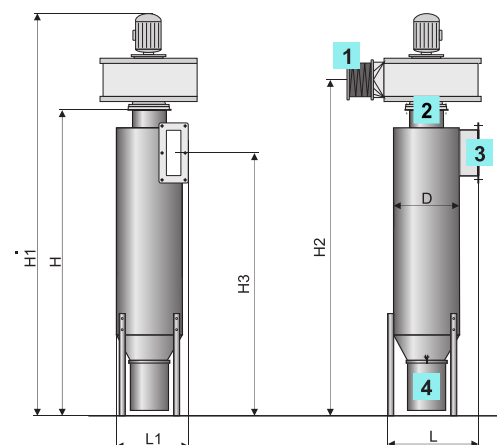


**INCREASE EFFICIENCY**  
By connecting the circles to the existing boiler, the efficiency of the boiler increases.



**HIGH QUALITY**  
They are made of high quality materials and are protected by primer.

### Technical specifications



- 1 Connection to the chimney
- 2 Connection to the fan
- 3 Connection to the boiler
- 4 Draining/cleaning damper

#### Cyclone type for the boiler

#### CC 250 EKO-CKS 250

#### CC 300-380 EKO-CKS 300/380

Total height of the Cyclone H	mm	1988	1940
Total height of the Cyclone and the fan H1	mm	2440	2515
Height flue gas exhaust H2	mm	1060	2090
Boiler connection height H3	mm	1705	1705
Total depth of the Cyclone L	mm	612	718
Total width of the Cyclone L1	mm	498	607
Flue gas exhaust diam. AxB	Ø mm	160*160	202
Cyclone diameter D	Ø mm	426	526
Cyclone mass	kg	88	114
Fan mass	kg	35	44
Fan power	W	550	1100
Connection to the electric power net	V/Hz	400/50	400/50